



2716 Series Manual Wedge Action Grips

Catalog Number 2716-017

Features

- Rated capacity: 2 kN (200 kgf, 450 lbf)
- Quick set-up with rapid clamping and unclamping action
- Easy specimen loading for increased productivity
- Self-tightening wedge design eliminates slippage
- Fixed faces and moving body during specimen loading
- Compact design for convenient testing of small specimens
- Slack-free connection to test instrument
- Quickly change faces without tools description
- Temperature range: +10 °C to +100 °C
(+14 °F to +212 °F)

Description

The manual wedge action grip is designed for easy specimen loading, alignment and positioning. After initial face to specimen contact, gripping force will increase as the testing load increases. Due to Instron's design of moving grip bodies, virtually no preload is seen during specimen clamping.

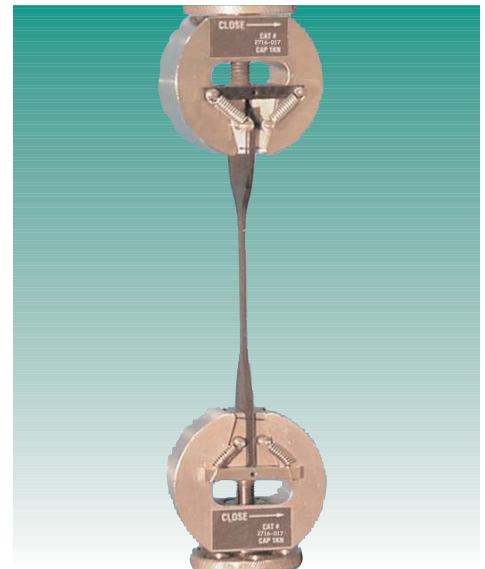
Principle of Operation

The wedge action principle of these grips allows them to be tightened onto a specimen without altering the vertical position of the faces in relation to the specimen. This is accomplished by a design, which moves the grip body to close the faces. This feature makes it possible to pre-select the exact point at which the specimen will be held with consistent gage length and no compressive force applied which may cause specimen buckling.

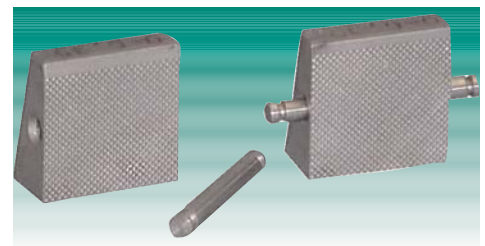
The grip faces are spring loaded against a shoe, which is in a fixed position in respect to the testing machine. As the grip is tightened, it's frame is drawn towards the specimen and the wedged sides push against the matching side of the faces which move laterally against the specimen. The open front design of the grip frames allows faces to be easily interchanged as well as easy specimen loading. Because the faces are held in a fixed position, there is no recoil, or loosening, when the specimen ruptures and if an extensometer is attached, it will remain in place.

Application Range

- Type of loading: Tension. Not suitable for through-zero/ reverse stress or fatigue testing.
- Specimen material: Wires, plastics, metals, elastomers.
- Specimen shapes: Flat, round.



▲
2716-017 wedge action grips



▲
Faces: Serrated, showing spring holding pin

2716 Series Manual Wedge Action Grips

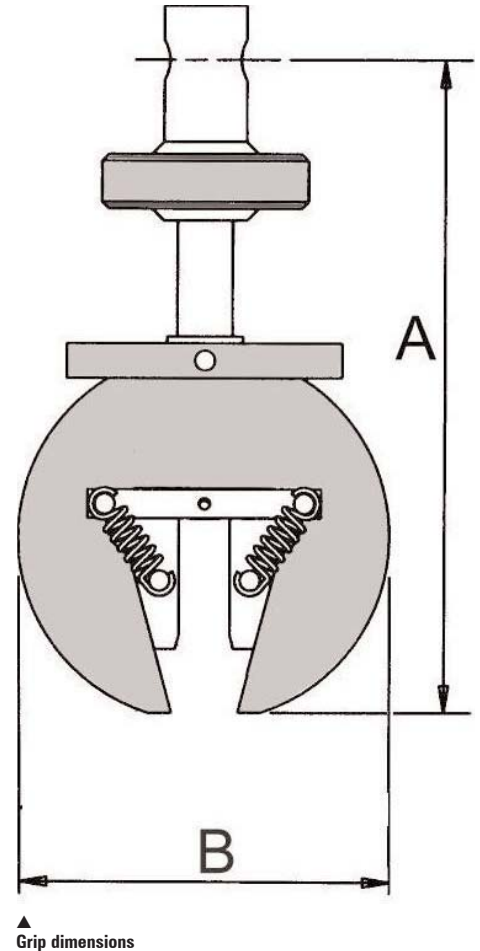
Catalog Number 2716-015

Specifications

Catalog Number	2716-017
Maximum Capacity	2 kN (200 kgf, 450 lbf)
MECHANICAL CONNECTION	
Upper Fitting	6 mm clevis pin (Type Om)
Lower Fitting	6 mm clevis pin (Type Om)
EFFECTIVE LENGTH (A)	
Upper Grip	87 mm (3.4 in)
Lower Grip	87 mm (3.4 in)
Body Width (B)	49 mm (1.9 in)
Weight per Grip (No Faces)	365 g (13 oz)
Weight (Faces)	45 kg (1.6 oz)
Temperature Range	-10 °C to +100 °C (-14 °F to +212 °F)
Working Principal	Manual wedge action
Gripping Length	19 mm (0.75 in)

Notes:

1. Grip catalog number provides two grips.
2. Grips may require a coupling to connect to load cell or machine base.
3. Upper grip may require a flexible coupling for certain applications.



▲ Grip dimensions

Jaw Faces

Catalog Number	Specimen Thickness	Surface	Clamping Area (W x H)	Application
2703-171	0 to 6.35 mm (0 to 0.25 in)	Serrated Pitch 0.64 mm (40-teeth per in)	19 mm x 19 mm (0.75 in x 0.75 in)	For gripping plastic, fabric and soft materials

Notes:

1. Faces catalog number provides four faces.
2. All faces are hardened to 48 Rc to 52 Rc, excluding rubber coated and if otherwise specified.



▲ Close-up of faces in grip



Corporate Headquarters

100 Royall Street, Canton, Massachusetts 02021-1089, USA
Tel: +1 800 564 8378 or +1 781 575 5000 Fax: +1 781 575 5751

Instron Industrial Products

900 Liberty Street, Grove City, PA 16127-9969, USA
Tel: +1 724 458 9610 Fax: +1 724 478 9614

European Headquarters

Coronation Road, High Wycombe, Bucks HP12 3SY, United Kingdom
Tel: +44 1494 464646 Fax: +44 1494 456123

www.instron.com

Instron is a registered trademark of Instron Corporation. Other names, logos, icons, and marks identifying Instron products and services referenced herein are trademarks of Instron Corporation and may not be used without the prior written permission of Instron. Other product and company names listed are trademarks or trade names of their respective companies.

Copyright © Instron 2004. All rights reserved.
All of the specifications shown in this brochure are subject to change without notice.